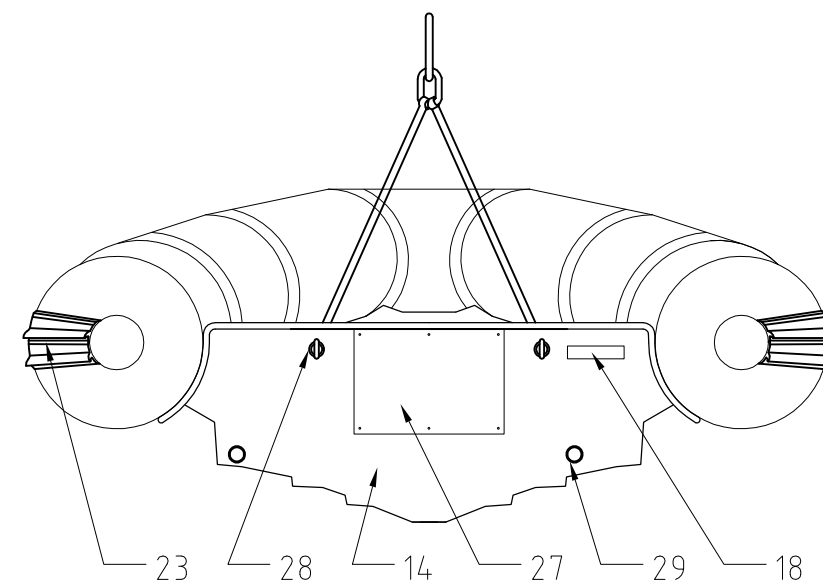
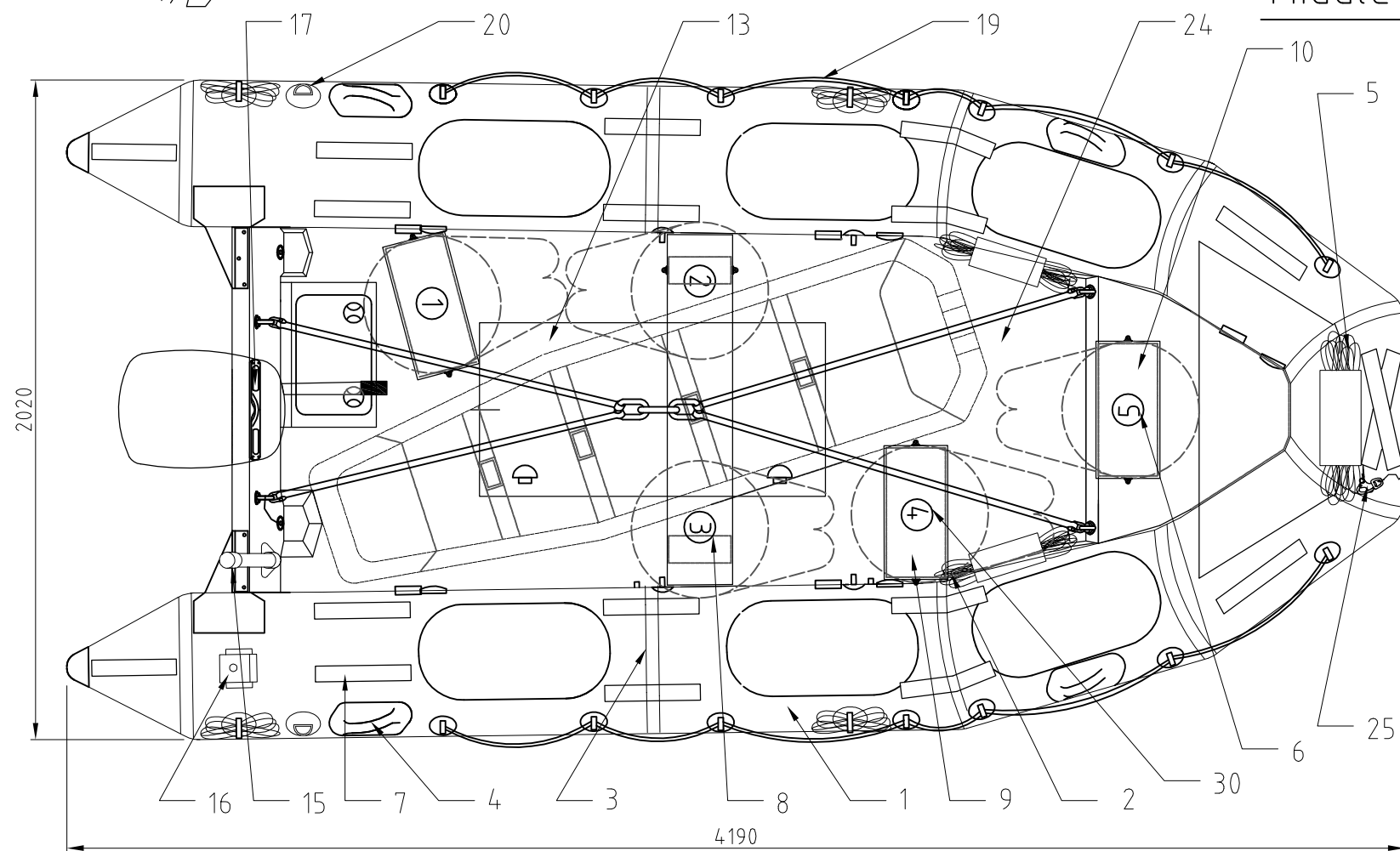


Middle Section



Stern View



Upper View

Nr	Un	Name	Nr	Un	Name
1.	1	inflatable buoyancy tubes	15.	1	radar reflector
2.	2	rescue quilt, in holding	16.	1	position indicating light
3.	4	bulkhead	17.	1	clamp plate for engine
4.	6	carrying handle	18.	1	boat, identification
5.	1	towing line 50 m and bow release mechanism	19.	1	grab line
6.	1	sea anchor line, 30 m	20.	4	righting strap, identification
7.	25	retro-reflective tapes	21.	5	safety relief valve
8.	5	seating position	22.	5	inflation valve
9.	1	compass	23.	1	rubbing strake Fender
10.	3	stowage for equipment	24.	1	deck floor (anfísliþ finishing)
11.	1	lifting arrangement	25.	1	shackle
12.	2	boats hook	27.	1	transom reinforcement
13.	1	fuel tank position	28.	6	eyescrew
14.	1	transom	29.	2	drain valve
			30.	1	brief operating instruction

MODEL: RR-40	CRAFT TYPE: R.I.B.	CODE:
Neumáticas de Vigo S.A. N-550 A Guarda-Tui Km 55,5 36760 O ROSAL	NAME: RR-40 New Deck arrangement	
DRAWN INVALIDATE	DATE 5/08/08 1/07/08	NAME C.N.L. C.N.L.
	PLAN NUMBER: RRS-050-10	FORMAT: A-3
		SCALE: 1:20